



Model
9671

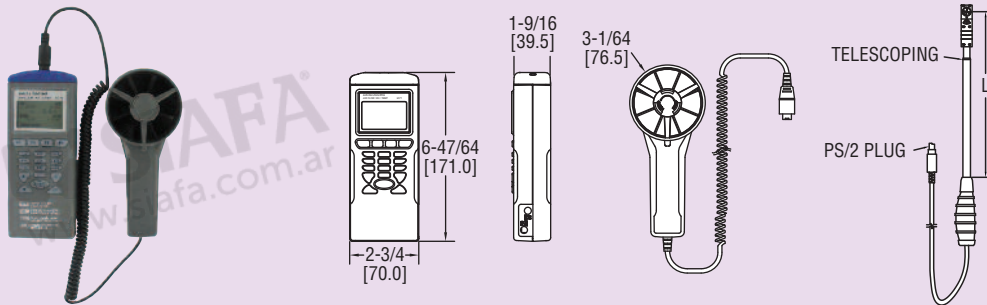
Multi-Function Vane Thermo-Anemometer



Measures Air Velocity, Air Volume, Temperature, Humidity, and BTU; Built-In Datalogging



Higiene Ocupacional y Medio Ambiente



Measure air velocity, air volume, temperature, humidity, and BTU with the Model 9671 Multi-function Anemometer. The large 1.8" (45 mm) display allows users to easily view readings. User-selectable wind speed units include ft/min, m/s, knots, mph and km/hr. In addition to these functions, the 9671 is capable of measuring relative humidity, wet bulb temperature, dew point and BTU capacity. A built-in sensor records ambient temperature in° F or °C. Model 9671 features include data hold, along with the ability to record minimum, maximum and average readings on a single point. Additional features include an RS-232 interface setting that allows the unit to download data, as well as upload up to 99 measurements through pre-edited PC files. The 9671 also has a detachable probe for easy replacement, if necessary, or to attach a miniature vane probe. Each unit includes hard carrying case, batteries, software CD, cable and instruction manual.

Model 9671, Vane Thermo-Anemometer

ACCESSORIES

A-551, Replacement Probe with Vane

A-VT300-P, Replacement Probe with Miniature Vane

SPECIFICATIONS

AIR VELOCITY

Range: 118 to 6299 ft/min (0.6 to 32 m/s).

Accuracy: ±5% of reading or last significant digit (whichever is greater).

Resolution: 0.1 ft/min (0.1 m/s).

Response Time: 1 second.

TEMPERATURE

Range: -4 to 140°F (-20 to 60°C).

Accuracy: ±1°F (±0.6°C).

Resolution: 0.1°F/°C.

Response Time: 60 seconds.

RELATIVE HUMIDITY

Range: 0 to 100%.

Accuracy: ±3% @ 25°C from 10 to 90% RH. Outside this range: ±5%.

Resolution: 0.10%.

Response Time: 60 seconds.

AIR VOLUME

Range: 0 to 99999 (CFM or m³/s).

Accuracy: ±5% of reading or last significant digit (whichever is greater).

Resolution: 0.1 (0 to 9999.9) or 1 (10000 to 99999).

Response Time: 1 second.

WET BULB

Range: -7.6 to 158°F (-22 to 70°C).

Resolution: 0.1°F/°C.

METER

Display: 1 x 1.8" (26 x 45 mm).

Serial Communications: 9600 bps, 8 data bits, no parity.

Power Requirements: (4) AAA alkaline batteries, included, user replaceable.

Battery Life: 100 hours.

Vane Diameter: 3" (77 mm).

Weight: 6 oz (170 g).

Agency Approvals: CE.



Higiene Ocupacional y Medio Ambiente

www.siafa.com.ar
ventas@siafa.com.ar

011 4684 2232